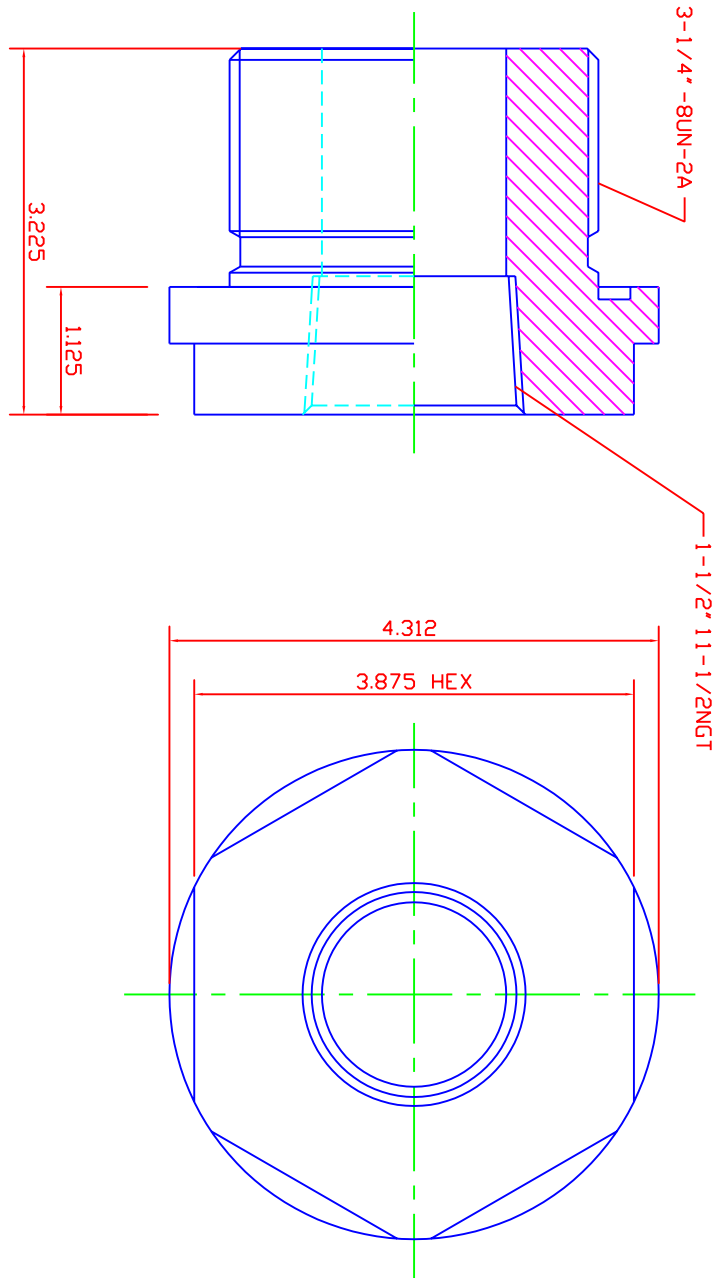


| | |
|--------------------|-------------|
| 1-1/2"NGT BULLPLUG | 9146-99 |
| DESCRIPTION | PART NO. |
| 9-26-96 | 1040 / 1045 |
| DATE | MATERIAL |
| | STEEL |



| DATE | REVISIONS |
|---------|-----------------|
| 2-19-01 | 3.225 WAS 2.625 |
| | |
| | |

9146-99

DRAWING NO.

WESTERN VALVE

114 E. 46th Amarillo, Texas 79105 P.O. Box 2446 806-373-6811 fax 806-373-5971